

REPLACEMENT CART ESTIMATE/ORDER FORM

Company Name/Facility: _____ Tel: _____ Fax: _____

Address: _____ Email: _____

City: _____ STATE: _____ Zip: _____

QUANTITY: _____

FRONT FLAP CLOSURE: Velcro Zipper Snap Lock

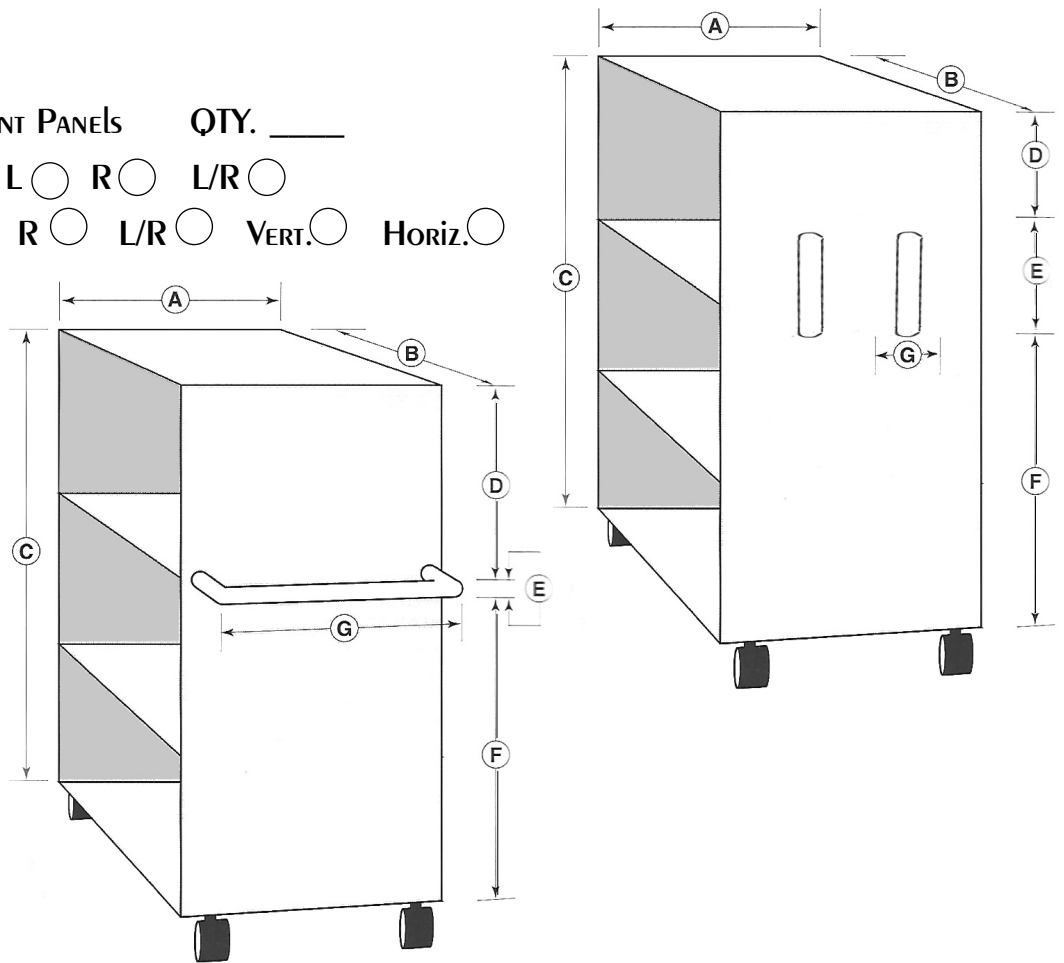
DIMENSIONS:

Dimensions with Handles

A. Depth: _____ B. Width: _____ C. Height: _____ | D. _____ E. _____ F. _____ G. _____

SPECIAL FEATURES:

- Clear Vinyl Front Flap
- Clear Vinyl Overlap Front Panels QTY. _____
- Clear Routing Pockets L R L/R
- Handle Cut-Outs L R L/R VERT. Horiz.
- Custom Silk Screen



FABRIC & COLORS:

- Ballistic Nylon Navy
- Vinyl Grey White Clear
- 400 Denier Nylon Electric Blue Slate Blue Mariner Midnight Amethyst Snow
- Sunshine Mandarin Pink Red Bordeaux Raven
- Mallard Kelly Foliage Tan Sand Silver Dust

Tel: 845 369-8667

